



Spare parts catalogue

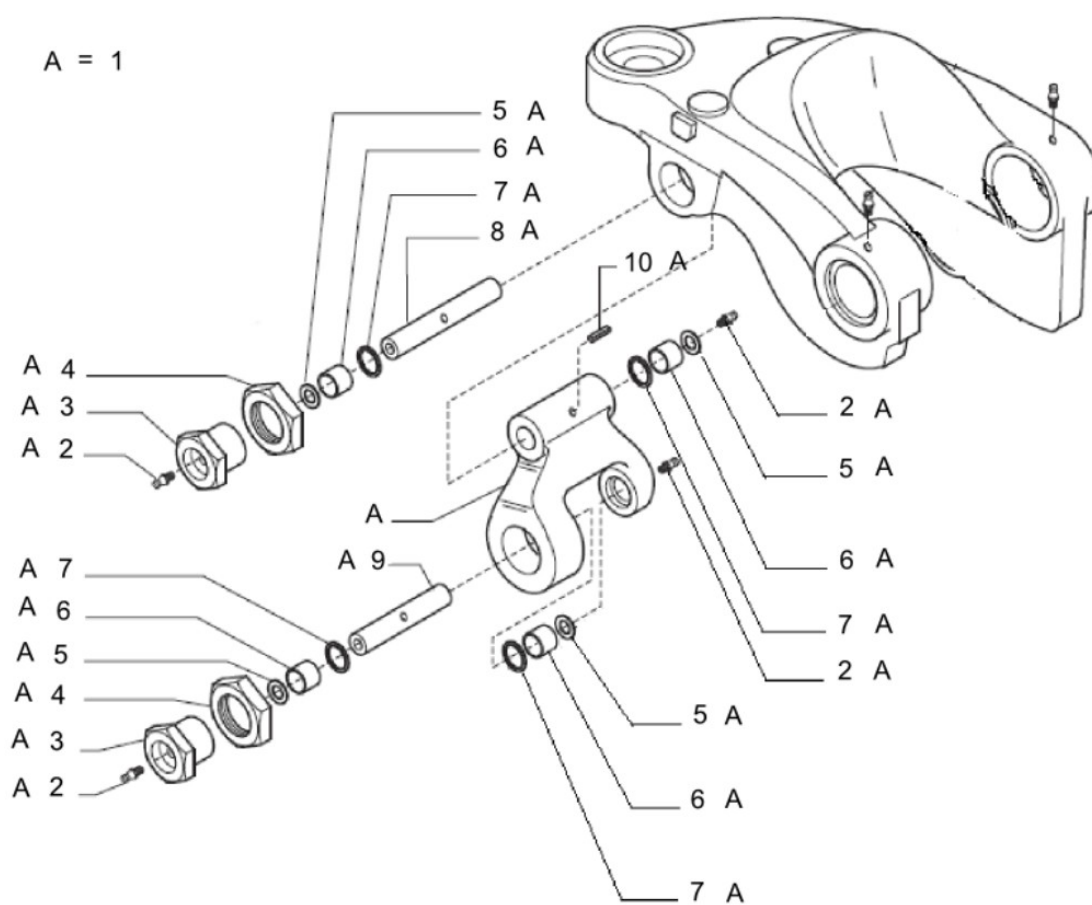
BUSHINGS KIT

REF: B47227

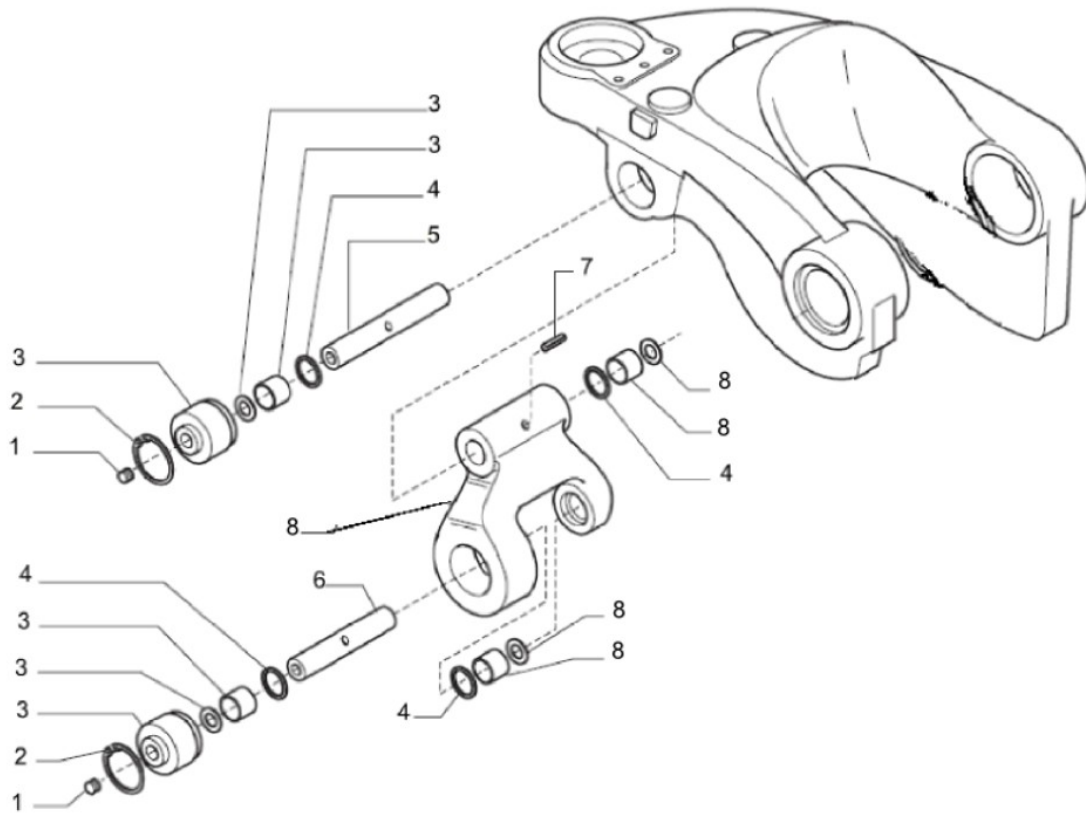
1.1 Bushings kit

2.1 Old configuration

3.1 Mounting type



Pos	Ref	Qty	Description	Kit	Note
1	B47227	1	BUSHINGS KIT		
2	48/6405-138	4	GREASE NIPPLE M8x1	064710	
3	B53114	2	SHAFT	064710	
4	B53915	2	BUSHING M36X1.5	064710	
5	B53916	4	SHIM 17X7X1	064710	
6	B53917	4	SHIM 16X18X15	064710	
7	48/486-158	4	SEAL 16X22X3	064710	
8	48/6478-1	1	PIN L.105.4	064710	
9	48/6478-2	1	PIN	064710	
10	48/351-46	1	PIN Ø 6x30	064710	



Pos	Ref	Qty	Description	Kit	Note
1	48/6438-58	2	PLUG		
2	48/384-44	2	SNAP RING Ø.34		
3	-	2	BUSH CENTER KIT		
4	48/486-158	4	SEAL 16X22X3		
5	48/6478-2	1	PIN		
6	48/6478-1	1	PIN L.105.4		
7	48/351-46	1	PIN D6x30		
8	-	1	KIT SUPPORT		

